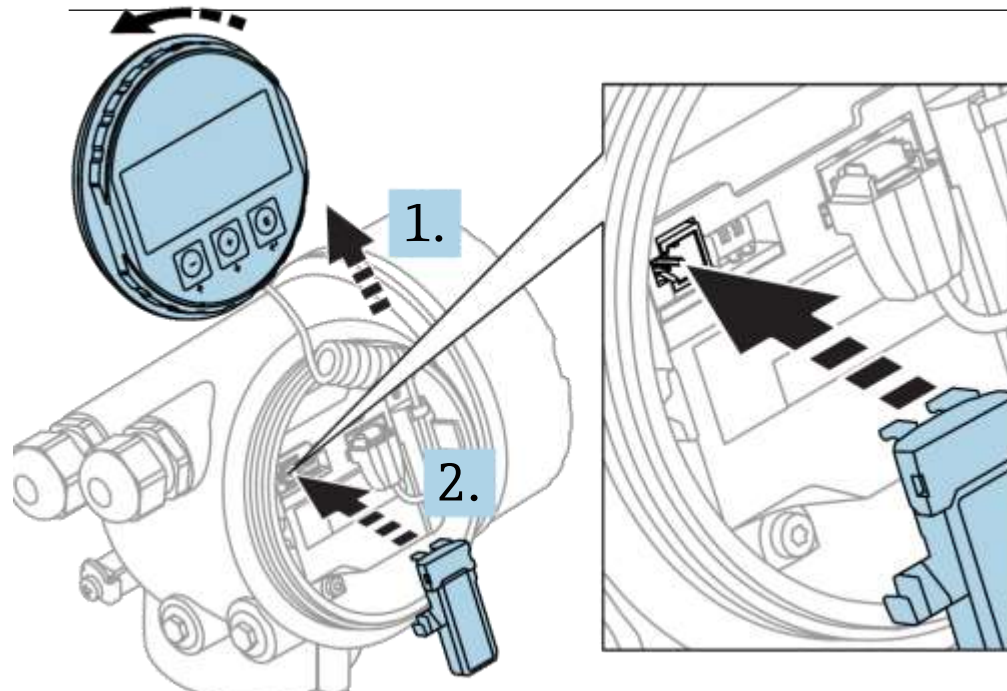
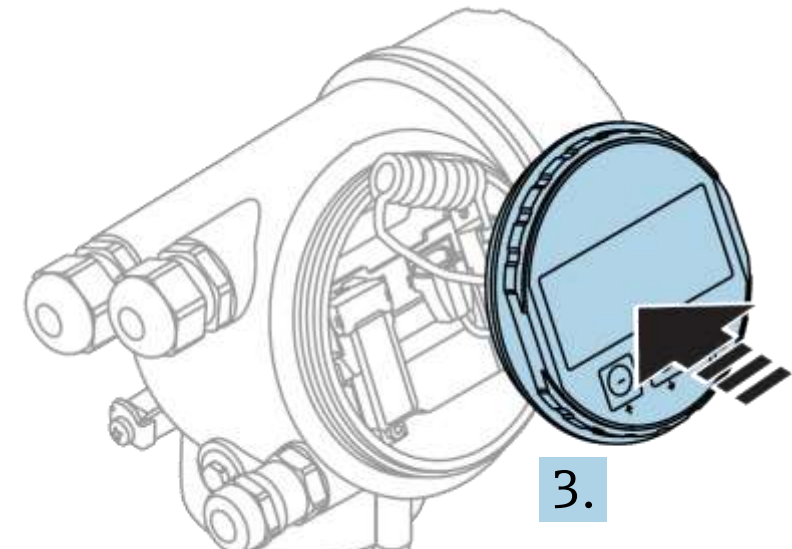


Installing the Bluetooth module*



1. Open housing and remove the display
2. Slide in the Bluetooth module in the CDI slot



3. Place the display in the upright position. With the Bluetooth module the rotation of the display is not possible.

*Only necessary when upgrading installed base